

# ProTeam ProForce® 1200XP / 1500XP



**CERTIFIED  
BRONZE**

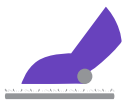


**107251 ProForce 1200XP \$675**  
**107252 ProForce 1500XP \$755**

Our top-of-the-line ProForce uprights have evolved into superior cleaning machines. The ProForce 15" uprights provide exceptional cleaning in a high-filtration upright to improve reach, durability, and Indoor Air Quality. The dual motor system and exhaust filters made from HEPA Media maximize efficiency and effectiveness. The powerful ProForce contains a high-performance dual-motor system and a low profile, L-shaped head perfect for vacuuming under and around furniture.

ProForce 1500XP and ProForce 1200XP models are equipped with premium quality on-board tools including a lightweight plastic wand with a super stretch-hose.

The ProForce 1200XP is designed for advanced versatility allowing the 12" powerhead to reach even smaller spaces.



**HIGH PILE**



**INDOOR  
AIR  
QUALITY**



**LAYS FLAT**

## Specifications

Weight:	18 lbs. / 8.17 kg.
Handle Weight:	4.7 lbs. / 2.13 kg.
Motor Airflow:	96 CFM
Static Lift:	84 in.
Motor:	924 W Dual Motor / 10 A
Decibel:	67 dBA
Capacity:	3.25 qt. / 3 L
ProLevel Filtration® w/Three Levels of Filtration:	522 sq. in. total media

## Related Products

103483 Intercept Micro® Filters, 10/pk \$20.48

### \*ProLevel Filtration System with HEPA Media

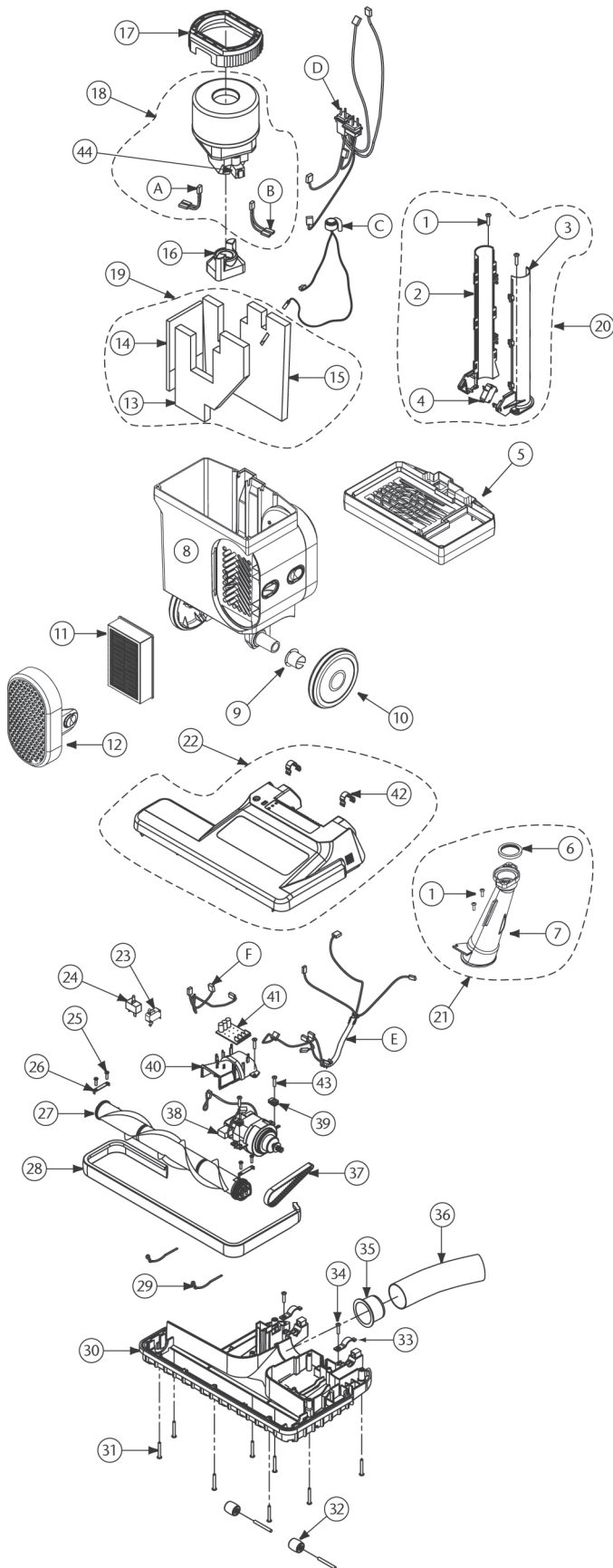
- **ProForce 1200XP:** captures 97.33% at 0.3-.5 microns per ASTM F3150
- **ProForce 1500XP:** captures 98.73% at 0.3-.5 microns per ASTM F3150

### Limited Warranty

- 3 years parts, labor, motor and molded body parts (except for wear items)
- 2 years on ProForce brush roll motor (104506)

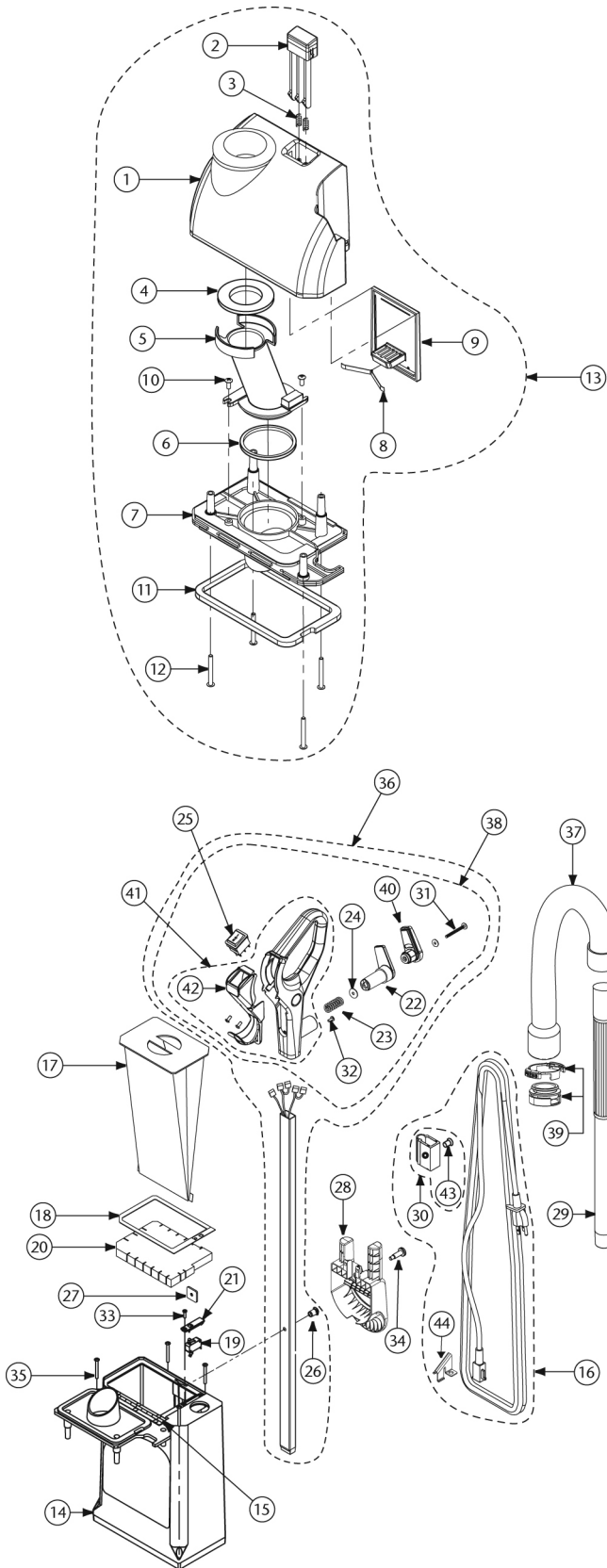
*\*The filtration value of ProTeam's ProLevel Filtration System in this vacuum is achieved by the use of a multi-stage filtration system, including intercept micro filter, micro cloth filter, plastic cage with foam filter, and post-motor filter made from HEPA media, as tested per ASTM F3150. Specification calculations are based on average motor performance.*

# PROFORCE 1200XP / 1500XP PARTS



No.	Product Name	Qty	List Price
1	104267 Phillips Screw, 4mm x 12mm for Lower Air Duct	2/pk	\$ 9.98
2	104260 Upper Right Wand Guide	1 ea.	5.17
3	104261 Upper Left Wand Guide	1 ea.	5.17
4	104263 Wand Lockout Switch	1 ea.	15.21
5	107255 Bulkhead	1 ea.	22.70
6	104253 Lower Air Duct Seal	1 ea.	1.91
7	104250 Air Duct	1 ea.	16.01
8	107257 Motor Housing	1 ea.	53.42
9	104504 Pivot Bearing	2/pk	9.98
10	104306 Rear Wheel	2/pk	18.82
11	107005 Exhaust Filter made from HEPA Media	1 ea.	8.55
12	107258 Filter Cartridge Cover	1 ea.	7.75
13	103532 Front Panel Motor Housing Sound Foam	1 ea.	8.03
14	103533 Left Panel Motor Housing Sound Foam	1 ea.	4.71
15	103531 Rear Panel Motor Housing Sound Foam	1 ea.	11.29
16	104247 Lower Motor Mount	1 ea.	9.43
17	104249 Upper Motor Mount	1 ea.	16.01
18	104957 Motor Assembly w/Jumpers (includes: A, B)	1 kit	112.80
19	105488 Motor Housing Sound Filter (includes: 13,14,15)	1 kit	22.58
20	105490 Wand Kit (includes: 1, 2, 3, 4)	1 kit	18.92
21	105489 Air Duct Kit (includes: 1, 6, 7)	1 kit	16.96
22	107282 ProForce 1500XP Power Nozzle Cover with Detent Springs (includes: 42)	1 ea.	46.45
	107283 ProForce 1200XP Power Nozzle Cover with Detent Springs (includes: 42)	1 ea.	46.45
23	104279 Power Nozzle Lockout Safety Switch	1 ea.	20.30
24	104212 Circuit Breaker (reset button)	1 ea.	28.80
25	104496 Phillips Screw, 3.5mm x 13mm, for Brush Retainer	4/pk	7.85
26	104499 Brush Roll Retainer	2/pk	3.80
27	104216 14" Power Nozzle Brush Roll for ProForce 1500XP	1 ea.	44.83
	107163 12" Power Nozzle Brush Roll for ProForce 1200XP	1 ea.	44.83
28	104218 ProForce 1500XP Vinyl Power Nozzle Bumper	1 ea.	10.28
	107166 ProForce 1200XP Vinyl Power Nozzle Bumper	1 ea.	10.28
29	104500 Formed Wire Brace for Power Nozzle Base	2/pk	3.80
30	104221 ProForce 1500XP Power Nozzle Baseplate	1 ea.	71.59
	107167 ProForce 1200XP Power Nozzle Baseplate	1 ea.	67.62
31	104497 Phillips Screw, 4mm x 35mm for Base Cover	8/pk	8.91
32	834363 Wheel/Axle Replacement Kit	1 kit	10.62
33	104503 Rear Wheel Clamp	1 set	6.59
34	104495 Phillips Screw, 4mm x 19mm for Powerhead	5/pk	5.17
35	104227 Air Duct Hose Sleeve	1 ea.	3.80
36	104230 Power Nozzle to Air Duct Lower Hose	1 ea.	8.73
37	104217 Brush Roll Drive Belt	1 ea.	8.57
38	104506 Power Nozzle Motor with Crimps	1 ea.	111.25
39	104498 Power Nozzle Motor Vibration Grommet	2/pk	3.80
40	104224 Power Nozzle Air Duct Cover	1 ea.	7.10
41	104226 Vacuum Operation Indicator Board	1 ea.	13.68
42	104507 Detent Upright Lock Spring	2/pk	5.17
43	105371 Phillips Screw, 4.2mm x 19mm, for Power Nozzle Motor	2/pk	3.47
44	105281 Carbon Brush Set for ProForce Motor	1 set	30.98
	105754 Wire Harness Kit includes:	1 set	48.73
	A. Red Jumper Harness	B. White Jumper Harness	
	C. Full Bag Indicator Sensor	D. Main Power Supply Harness	
	E. Power Nozzle Wire Harness	F. Power Nozzle Switch Harness	

# PROFORCE 1200XP / 1500XP PARTS



No.	Product Name	Qty	List Price
1	104234 Grey Bag Housing Cover	1 ea.	\$25.67
2	104232 Bag Cover Release Latch	1 ea.	6.85
3	104233 Release Latch Button Spring for Bag Cover	2/pk	3.47
4	104235 Upper Seal Transition Duct for Bag Cover	1 ea.	5.99
5	104236 Transition Duct Bag Cover	1 ea.	10.28
6	104238 Lower Seal Transition Duct Bag Cover Nozzle Plate	1 ea.	3.47
7	104239 Bag Cover Nozzle Plate	1 ea.	8.03
8	104242 Bag Cover Latch Spring	1 ea.	5.17
9	104243 Bag Cover Latch Plate	1 ea.	3.80
10	104505 Phillips Screw, 4mm x 9.5mm	2/pk	3.47
11	104241 Bag Cover Gasket	1 ea.	3.80
12	104493 Phillips Screw, 4.2mm x 35mm	4/pk	6.32
13	105486 Filter Cover Kit w/Riveted Hinge and 6 Rivets (includes: 1-12)	1 kit	67.69
14	107260 ProForce 1500XP Bag Housing Assembly with Riveted Hinge & Bag Cover Nozzle Plate	1 ea.	61.53
	107285 ProForce 1200XP Bag Housing Assembly with Riveted Hinge & Bag Cover Nozzle Plate	1 ea.	61.53
15	104491 Rivet for Bag Housing Assembly	6/pk	5.17
16	104284 50' Yellow Power Cord with Strain Relief (includes: 30, 44)	1 ea.	60.54
17	103483 Intercept Micro Filter	10/pk	20.48
18	104738 Bag Housing Gasket Seal	1 ea.	3.80
19	104283 Lock-Out Filter Switch	1 ea.	16.01
20	104281 Double Layer Motor Intake Filter	1 ea.	4.48
21	104282 Lock-Out Filter Switch Cover	1 ea.	3.80
22	104268 Cord Wrap Bracket	1 ea.	6.85
23	104269 Cord Wrap Compression Bracket Spring	1 ea.	3.80
24	104270 Cord Wrap Bracket Compression Spring Washer	1 ea.	1.75
25	105147 On/Off Rocker Switch	1 ea.	20.54
26	104264 Handle Tube Bushing	1 ea.	1.91
27	104259 Handle Nut Plate	1 ea.	1.91
28	107256 Carry Handle with Tool Caddy	1 ea.	8.57
29	104294 Wand	1 ea.	22.58
30	105091 Strain Relief Kit with Fastener Clip (includes: 43)	1 ea.	9.43
31	104271 Phillips Head Screw for Cord Wrap, M4 x 45mm	1 ea.	3.47
32	104509 Phillips Screw, 4mm x 16mm x .07 Pitch, for Handle Assembly	1 ea.	3.47
33	105075 Phillips Screw, 2.9mm x 13mm, for Switch Cover	1 ea.	6.14
34	104266 Handle Assembly Screw	1 ea.	2.13
35	104493 Phillips Screw, 4.2mm x 35mm	4/pk	6.32
36	106618 Tube Handle Assembly Complete (includes: 26, 38)	1 ea.	93.07
37	104961 Hose Assembly with Cuffs (includes: 39)	1 ea.	65.82
38	106617 Handle Kit (includes: 22-25, 31, 32, 40-42)	1 kit	61.53
39	105573 Quick Release Hose Cuff	1 ea.	25.49
40	107093 Impact Bumper	1 ea.	3.95
41	106619 Handle/Bezel Assembly (includes: 42)	1 ea.	37.52
42	106739 Handle Bezel	1 ea.	12.24
43	105320 Fastener	1 ea.	7.35
44	107203 Cord Retention Clip	1 ea.	4.38